

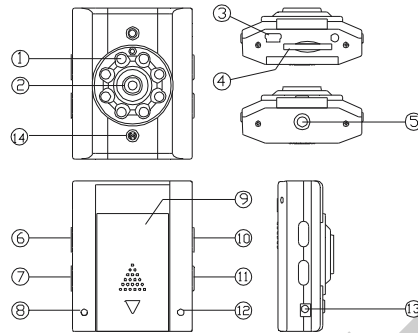
Vehicle DVR

Road Safety Guard

Instruction Manual

Thank you for purchasing Vehicle Safeguard from our company. In order to help you operate it correctly, please read this instruction carefully before using.

Product Picture and Function



- | | |
|---------------------|---------------------------------|
| 1. IR LED | 9. Battery Cover |
| 2. Lens | 10. Power Switch |
| 3. USB Slot | 11. Mode Switch(Record/Preview) |
| 4. SD/MMC Card Slot | 12. Charging Indicator |
| 5. Fixed Slot | 13. 5V Direct Current Slot |
| 6. Time Set Switch | 14. Microphone |
| 7. Record / Play | |
| 8. Work Indicator | |

Attached Accessories

- Manual
- Li-ion Rechargeable Battery
- USB Cable
- 12V/24V Car Charger
- Mount
- AV Cable

Vehicle DVR

IR day and night vision for recording
Cycled recording and video with time display
Use SD/MMC Memory Card from 128MB to 32 GB

Operate

- 1) DVR can be activated after it has been placed by pressing the **Power Switch** (10).
- 2) Two Power options:
 - (a) Use Li-ion rechargeable battery
 - (b) Connect with 12V/24V Car Charger
- 3) IR LED will work automatically in night vision.
- 4) The Li-ion battery is charged by 12V/24V Car Charger or USB cable. And the indicator on charger displays Red. Charging finished about 2-3 hours, and indicator converts to no light.

Time set

Please set the correct time by TV or other terminals before recording. Press **Time Set Switch** (6) to enter into set mode, then adjust correct time with **Play Switch** (7) and confirm by **Set Switch**. Press **Set Switch** to exit until second is confirmed.

Recording

Record: Press **Power Switch** to start the DVR and shooting automatically. The work indicator blinks at this moment and indicates it is recording. The recording file is saved in the SD/MMC Card. To stop, press **Record Button** (7), at the moment, the Work indicator won't blinker again. If need continue recording, please press the **Record button** again.

Preview

Connect the AV Out link to the TV or other terminals. Press **Mode button** (11) to enter **Preview mode** and then press **Play button** (7) to select the former recording, press **Time Set Button** (6) to decide the previewed recording and play by pressing **Play Button** (7). To stop, press **Play button** again or automatically stop when it finished.

Note: 1) This DVR has no internal card. Please insert the SD/MMC card before recording.

2) This DVR records in cycle. When the storage medium is full, it will record from the beginning again and erase over the previously recorded material automatically. It will have 2-8 seconds pause time, and namely the contents in the 2-8 seconds will not recorded. **(Note: Repeat Storage by section, 2 minutes for one)**

3) When the power level for Li-ion battery is not sufficient, it will sound the alarm voice and turn off automatically after 30 seconds.

Technical Specifications

- 1) Recording resolution: 640x480 pixels
- 2) Recording file in AVI video format, playable on windows media player
- 3) Repeat storage by section
- 4) Power source: Li-ion rechargeable battery, or 12V/24V Car Charger
- 5) Supports SD/MMC card(From 256MB up to 32GB)
- 6) Microphone: can record sound

No further notice will be given for any modification of the technical specification.